

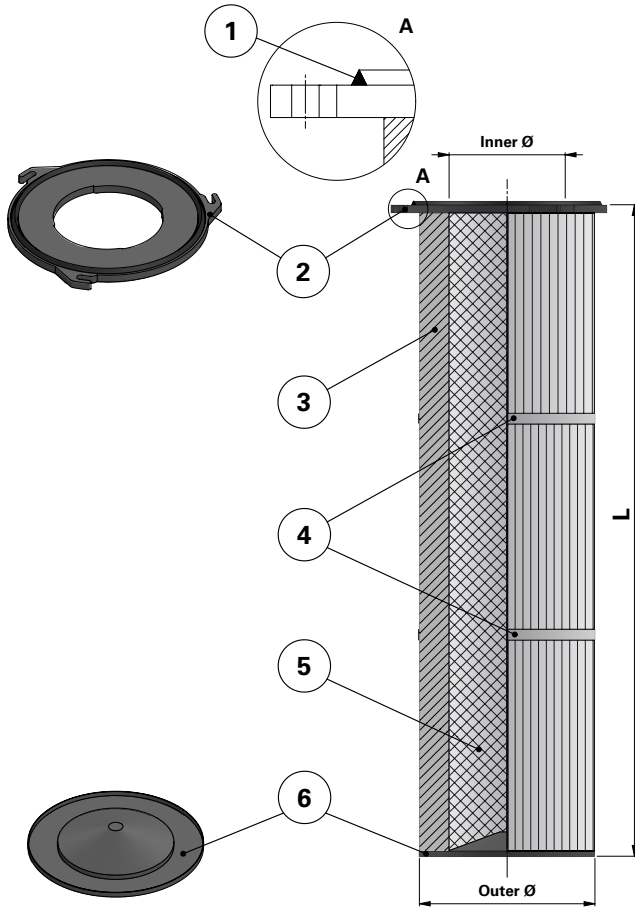
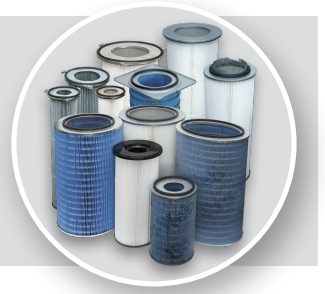


Donaldson
FILTRATION SOLUTIONS

DATA SHEET

Replacement Elements

Cartridges – Series 145 Quick Fix 3 Hook



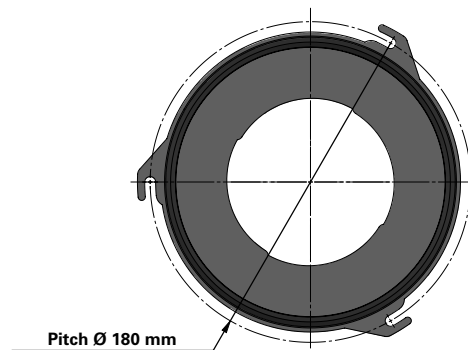
Series 145 Quick Fix 3 Hook

Cartridge Filter with open top end cap with 3 hooks, 180 mm pitch diameter and closed bottom end cap

Special feature: Dirty Air Plenum installation for Series 145 and other brands of cartridge collectors

Without outer liner

Top end cap quick fix



Item	Description
1	Gasket above top end cap
2	Top end cap quick fix
3	Media pack
4	Straps
5	Inner liner
6	Bottom end cap closed

Dimensions [mm]

Outer Ø	145
Inner Ø	94
L	715
	1215
	1515
2015	
Pitch Ø	180