

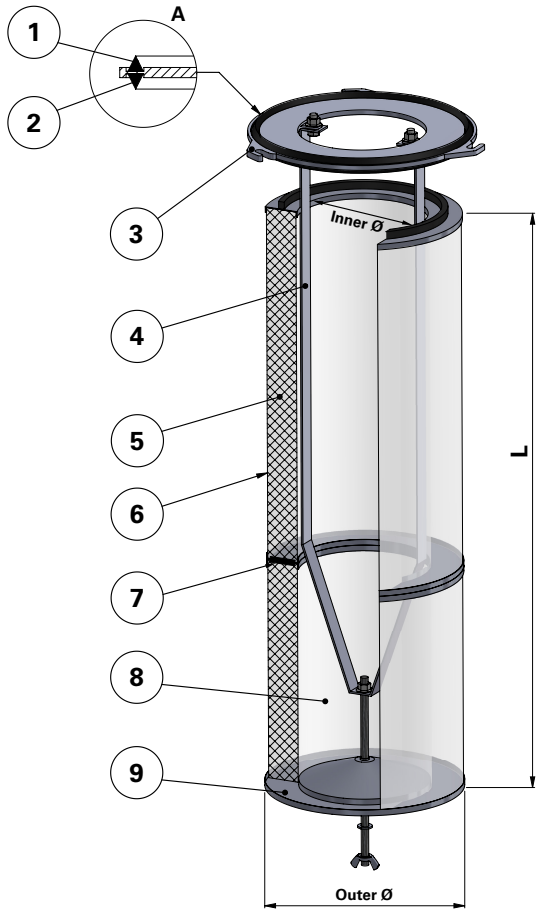
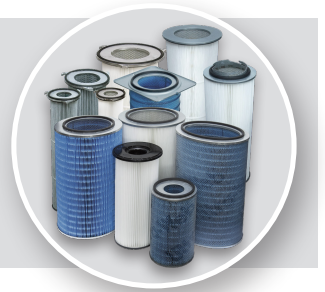


Donaldson
FILTRATION SOLUTIONS

DATA SHEET

Replacement Elements

Cartridges – Series 324 Quick Fix 3 Hook – Kit with Yoke



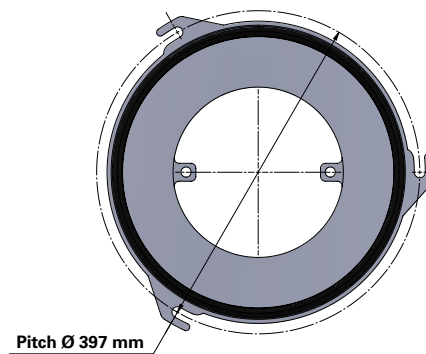
Series 324 Quick Fix 3 Hook – Kit with Yoke

Cartridge Filter with open top end cap with 3 hooks, 397 mm pitch diameter and closed bottom end cap

Special features: Kit with yoke, Dirty Air Plenum and Clean Air Plenum installation for Series 324 and other brands of cartridge collectors

Without outer liner

Top end cap quick fix



Item	Description
1	Gasket above top end cap
2	Gasket below top end cap
3	Top end cap quick fix
4	Yoke
5	Media pack
6	Outer liner
7	Gasket between 2 elements
8	Inner liner
9	Bottom end cap closed

Dimensions [mm]

Outer Ø	324
Inner Ø	213
L	1000
Pitch Ø	397